

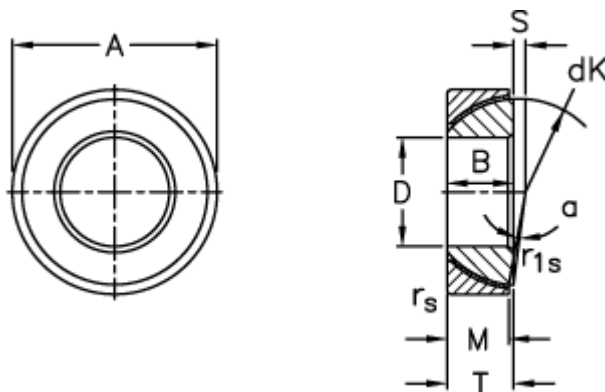
# Data Sheet



Article number: 03510100

Description: Fluro Rod end GE 100SW

## Measures



A = 150 0 -0,020

B = 32

D = 100 0 -0,020

dK = 141

Dynamic load C (kN) = 680

M = 31

rs, r1s min = 1.5

S = 11.6

Static load C0 (kN) = 1360

T = 32 +0,25 -0,60

Tilt angle = 0.5

Weight = 2340